

Government of India  
BHABHA ATOMIC RESEARCH CENTRE  
ATOMIC FUELS DIVISION

Ref: AFD/MWS/ENQ/17/83432

May 18 , 2017

**Sub: Fabrication and Supply of Graphite Breaker Rods.**

Dear Sir/Madam,

Sealed quotation is invited for Fabrication and Supply of Graphite Breaker Rods for & on behalf of President of India as per the description and terms and conditions given below:

**1.0 Description:** Fabrication and Supply of Graphite Breaker Rods.

**2.0 Scope of work;**

- a) Collection of graphite blocks (FIM) from AFD, BARC.
- b) Free issue material issued by the purchaser to the supplier shall be covered by an insurance policy to be arranged by the supplier at his own cost. The cost of free issue material supplied to the fabricator will be approximately Rs. 4, 00,000=00 (Rupees Four lakhs only).
- c) Cutting the blocks to suitable sizes. Available Block size is given in (Annexure – 1).
- d) Final machining of rods to dimensions per the attached drawing. (Annexure – 2).
- e) Transportation and safe delivery of machined rods to BARC.

**Material :** As supplied by BARC.

**Quantity :** 1400 Nos.

- ☞ Inspection: Necessary arrangement shall be made for inspection of the fabricated items at supplier's work.

**3.0 Terms and conditions:**

- a. Approx 3.0 T of Scrap will be generated during the course of fabrication of 1400 Breaker Rods.
- b. Vendor is required to quote the rate after deducting the value of scrap generated in process, as scrap need not to be returned. However the supplier shall mention the price of graphite scrap rate lump sum separately.
- c. Atomic Fuels Division will not be accepting the graphite scrap and accordingly, scrap is to be handled by the vendor.
- d. Fabricated items can be supplied in 2 batches of 700 nos. each.
- e. The fabrication and supply jobs shall be completed within a period of 6 Months after the placement of order.
- f. The fabricated items are to be delivered at Atomic Fuels Division, BARC, Mumbai.
- g. The payment shall be made after satisfactory completion of works and on receipt of the following documents:
  - i) Advance stamped receipt
  - ii) Bill in triplicate (the bill shall clearly indicate taxes, if any )
  - iii) Delivery challan
  - iv) Guarantee Certificate for workmanship for a minimum period of One Year shall be provided.
  - v) For payment through **ECS/RTGS**, required form shall be filled and submitted along with pre - stamped receipt.
- h. Quotations are to be printed in letter head/quotation format mentioning Sales Tax Registration Number registered with local ST authority/ CST authority, PAN of the firm, Service Tax Registration Number.

- i. The quotation should clearly mention the name of signatory and should bear company seal.
- j. Quotations shall be sent only by Registered Post/ Speed Post.
- k. Confidentiality clause to be submitted as per the annexure.
- l. Income tax @ 2 % will be recovered from your bill.
- m. Any delay which attributable to the supplier is liable for penalty @ 0.5 % per week (Max 5.0%) to be imposed on the party.

**4. Declaration to be submitted along with the offer.**

The prospective supplier shall declare as to whether he has any relative working in BARC, or himself is an ex-employee of BARC, or has an ex-employee of DAE on his pay rolls.

5. The quotation, typed on a printed letterhead shall reach in a sealed cover superscribing enquiry no. and date to the undersigned at the address given below on **05/06/2017** before **1200 hrs.**

C. B. Rai  
Scientific Officer/E  
Atomic Fuels Division  
Bhabha Atomic Research Centre  
Trombay, Mumbai – 400085

Thanking you,

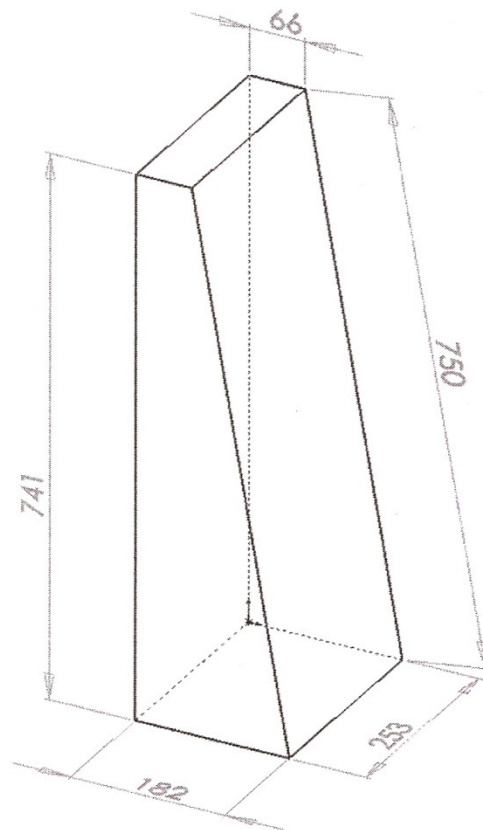
Yours faithfully,



(C.B. Rai)  
Scientific Officer/E  
For & on behalf of The President of India

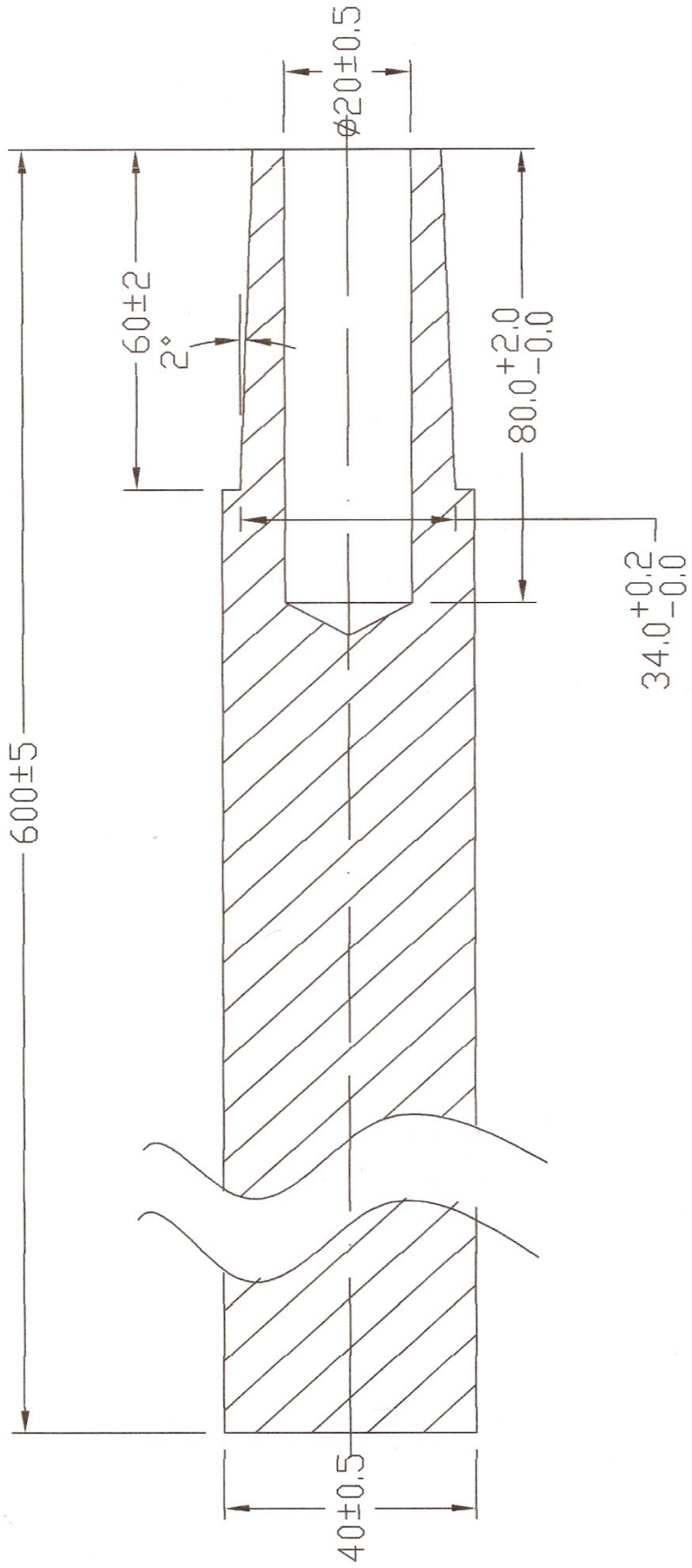
**Confidentiality Clause**

- I. Confidentiality:** - No party shall disclose any information to any third party concerning the matters under this contract generally. In particular, any information identified as “Proprietary” in nature by the disclosing party shall be kept strictly confidential by the receiving party and shall not be disclosed to any third party without the prior consent of the original disclosing party.  
This clause shall apply to the sub-contractors, consultants, advisers or the employees engaged by a party with equal force.
  
- II. “Restricted information” categories under section 18 of the Atomic Energy Act, 1962 and “Official Secrets “ under Section 5 of the Official Secrets Act 1923:** -Any contravention of the above-mentioned provisions by any contractor, sub contractor, consultant, adviser or the employees of a contractor will invite penal consequences under the aforesaid legislation.
  
- III. Prohibition against use of BARC’s name without permission for publicity Purposes:-**The contractor or sub-contractor, consultant, adviser or the employees engaged by the contractor shall not use BARC’s name for any publicity Purpose through any public media like press, Radio, TV or Internet without prior written approval of BARC.



**GRAPHITE BLOCK**





**SCHEMATIC OF GRAPHITE BREAKER ROD**